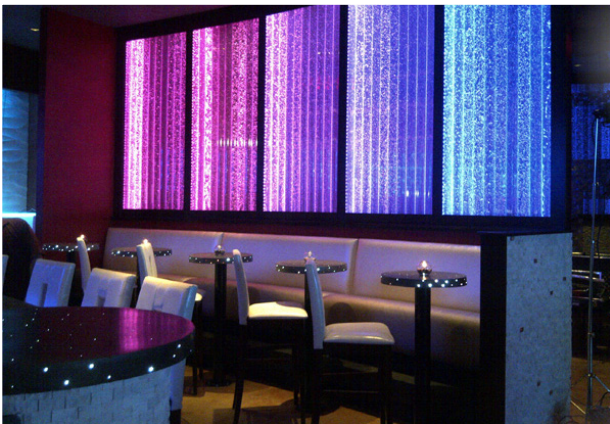




With **New X2 Technology**, The **Advanced Pro** delivers faster and smoother communication with even more wattage!
Still the most powerful controller on the market today!



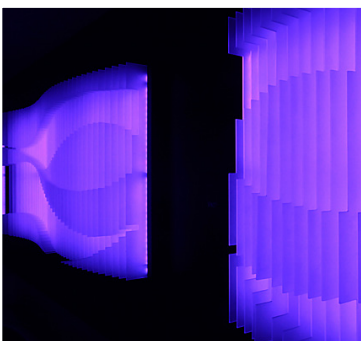
Epixsky's **Advanced Pro** controller is all you need to control multiple light sources for spectacular high end lighting effects. Integration has never been this simple and powerful!

Ideal for commercial hospitality or residential applications. This controller is designed to work independently or integrated with multiple modules.

X2Technology

COMMERCIAL GRADE

FASTER SMOOTHER COMMUNICATION



- ▶ Handles up to 800 Watts of power @24VDC
- ▶ Custom user editable sequence via RS232 serial
- ▶ Multiple modules can be connected with independent control of each module
- ▶ Works independently or integrated into a whole house 3rd party control system

epiXsky

3100 Pennington Road, Orlando Florida 32804 • Ph: 1-800-507-5714 • Email: info@epiXsky.com

epiXsky.com

SPECIFICATION
ADVANCED PRO RS232 SERIAL CONTROLLER



ADVANCED PRO RS232 CONTROLLER
 (power supply not included)

KEY FEATURES:

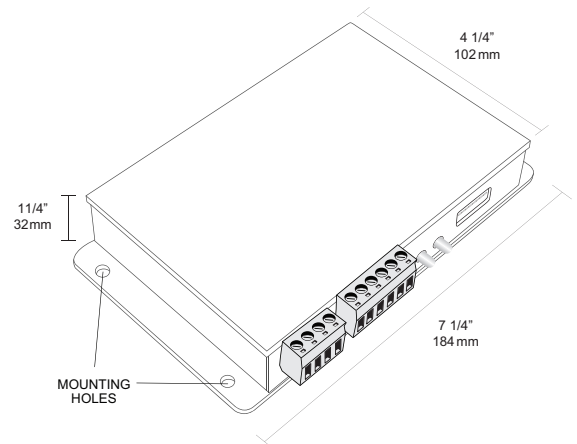
- Can handle up to 800W@24VDC or 400W@12VDC
- 12-24VDC (33 Amps MAX)
- 4 high current channels with independent control - The highest in the industry. RGB + White.
- Suitable for common anode RGB LED strips, LEDs and incandescent bulbs.
- Standalone mode with 8 pre-programmed light sequences.
- A custom user-editable sequence via RS232 Serial with a wide-range of effect speed adjustments
- Wide-range of external input accessories such iPad, relays, and wireless transmitter and momentary switch.
- Memory for last selected sequence and user-editable sequence.
- Serial TTL interface to control from your micro controller or PC - interface sold separately.
- Addressable. Multiple modules can be connected with independent control for each module.
- Small form factor.
- PWM of 480 Hz delivers smooth dimming and a wide range of color spectrum of RGB LED light fixtures.
- Override memory allows last program to continue in case the RS232 serial connection is disrupted for any reason.
- Reverse polarity protection.
- Work independently or integrated into a whole-house 3rd party control system.
- Integrated 5 Volt WiFi Power Port
- 5 YEAR WARRANTY



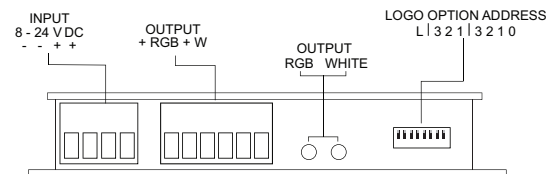
FASTER, SMOOTHER COMMUNICATION
 THE MOST POWERFUL LED LIGHTING CONTROLLER ON THE MARKET

The NEW **ADVANCED PRO** features **New X-2 technology** delivering **FASTER, SMOOTHER COMMUNICATION** with the even more powerful wattage than before!

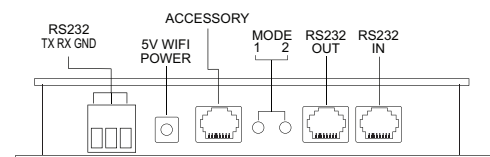
4 high current channels with independent control. The Advanced PRO RS232 Serial Controller can handle up to 800W making it the most powerful led lighting controller on the market today. RGB + White. Suitable for common anode RGB LED strips, LEDs and incandescent bulbs. Standalone mode with 8 pre-programmed light sequences. Custom user-editable sequence via RS232. Wide-range effect & speed adjust. Works independently or integrated into a whole-house automation system.



BACK



FRONT



ORDERING

MODEL

Advanced-Pro

RS232 Controller

CAN BE USED IN CONJUNCTION WITH:

- WiFi Interface
- IR Receiver
- EPIC Symphony
- EPIC Melody
- Remote Momentary Switch



A Division on Impact Lighting Inc.